

ASHLEY
SLING
INC.

WWW.ASHLEYSLING.COM



KL9000 BARRIER LIFT

The **KL9000 Barrier Lift** has a 6 to 12 inch grip range to handle **10 to 16 foot jersey wall** easily. It has a 9000 pound capacity. The scissor action allows the operator to unload wall directly from the truck and set into position.

WEAR Items: Medium Actuator & (2) 6" x 24" pads



 **in stock**

KL12000 BARRIER LIFT

The **KL12000 Barrier Lift** has a 6 to 12 inch grip range to handle **16 to 20 foot lengths of jersey wall** easily. It has a 12000 pound capacity. The scissor action allows the operator to unload wall directly from the truck and set into position.

WEAR Items: Large Actuator & (2) 6" x 36" pads



Atlanta, GA
(404) 691-2604

Columbus, MS
(662) 328-4040

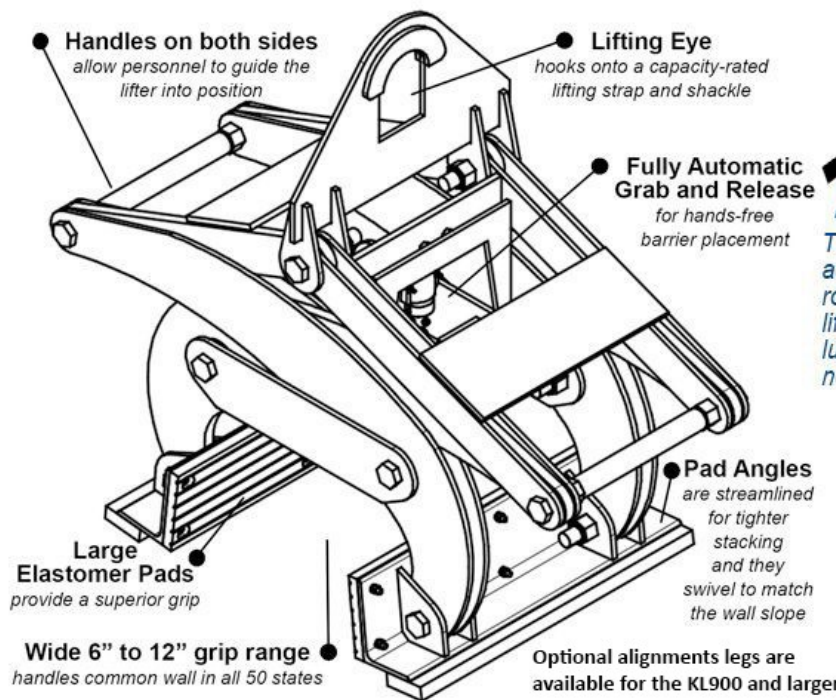
Charlotte, NC
(704) 347-0071

Knoxville, TN
(865) 675-1225

* ASHLEY SLING STOCK ITEM

SPECIFICATIONS				
MODEL	WEIGHT	CAPACITY	GRIP RANGE	USAGE
*KL9000	600 Pounds 272.155 kg	9000 Pounds 4082.331 kg	6-12 Inches 15.24 – 30.48 cm	10'-16' Concrete Barrier Wall 3.048 – 4.876 m
KL9K12T19FLL	55 Pounds 249.48 kg	9000 Pounds 4082.331 kg	12-19 Inches 30.48 – 48.26 cm	Florida Low Profile Wall
*KL12000	800 Pounds 362.87 kg	12000 Pounds 5443.108 kg	6-12 Inches 15.24 – 30.48 cm	16'-20' Concrete Barrier Wall 4.876 – 6.096 m
KL12000TLP	850 Pounds 385.55 kg	12000 Pounds 5443.108 kg	28 Inches 71.12 cm	Texas Low Profile Wall
KL16000	750 Pounds 340.19 kg	16000 Pounds 7257.477 kg	6-12 Inches 15.24 – 30.48 cm	20'-30' Concrete Barrier Wall 6.069 – 9.144 m
KL30000	1050 Pounds 476.27 kg	30000 Pounds 13607.772 kg	6-12 Inches 15.24 – 30.48 cm	30'-40' Concrete Barrier Wall 9.144 – 12.192 m
KL40000	1850 Pounds 839.14 kg	40000 Pounds 18143.696 kg	6-12 Inches 15.24 – 30.48 cm	30'-40' Concrete Barrier Wall 9.144 – 12.192 m

 **in stock**



Handles on both sides
allow personnel to guide the lifter into position

Lifting Eye
hooks onto a capacity-rated lifting strap and shackle

Fully Automatic Grab and Release
for hands-free barrier placement

Pad Angles
are streamlined for tighter stacking and they swivel to match the wall slope

Large Elastomer Pads
provide a superior grip

Wide 6" to 12" grip range
handles common wall in all 50 states

Optional alignments legs are available for the KL900 and larger.

ACTUATOR
The mechanical action of the actuator rotates with each lifting cycle. A spray lubricant such as WD40 is all that is needed to keep it functioning properly.

PADS
Specifically designed for our barrier lifters, these high density urethane elastomer pads provide a superior gripping power, plus they prevent damage to the concrete wall.

Atlanta, GA
(404) 691-2604

Columbus, MS
(662) 328-4040

Charlotte, NC
(704) 347-0071

Knoxville, TN
(865) 675-1225